

GINO-66 (GI-66) Concealed Hinge

Features

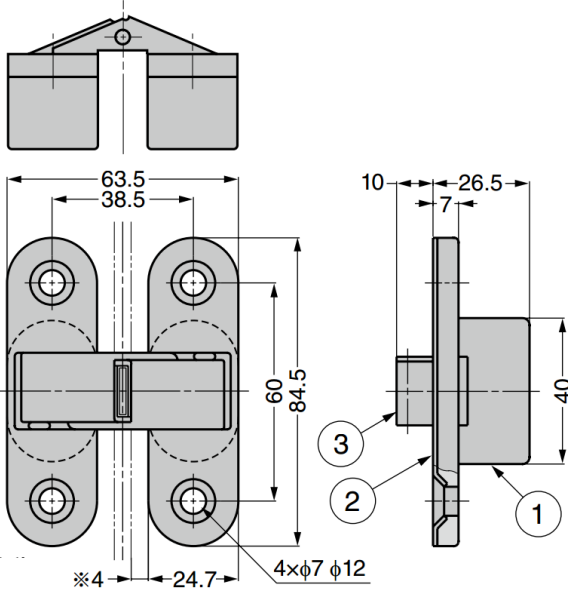
- Stainless steel front plate

Notes

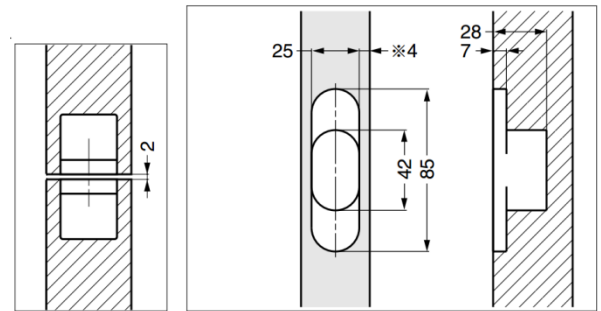
- When using three hinges, install the middle one 200mm below the upper hinge
- ※Distance to door edge must be less than 4mm

Parts Included

- Countersunk head wood screw 5.8

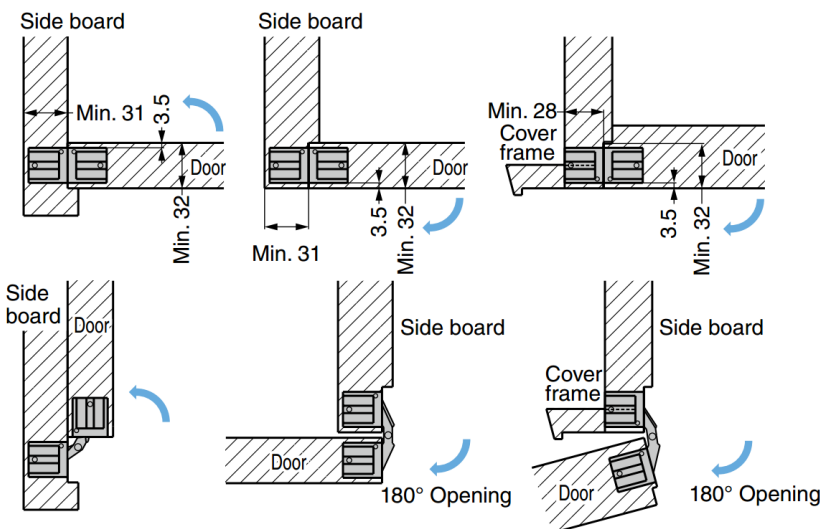


Cut Out Dimensions



No.	Part Name	Material	Finish
①	Body	PA	-
②	Front Plate	Stainless Steel (SUS304)	Satin
③	Arm		-

Installation



Part No.	Door Width	Door Height	Door Weight		Opening Angle
GINO-66 (GI-66)	Max. 800	Max. 2100	Max. 30 kg / 2 pcs	Max. 50 kg / 3 pcs	180°